
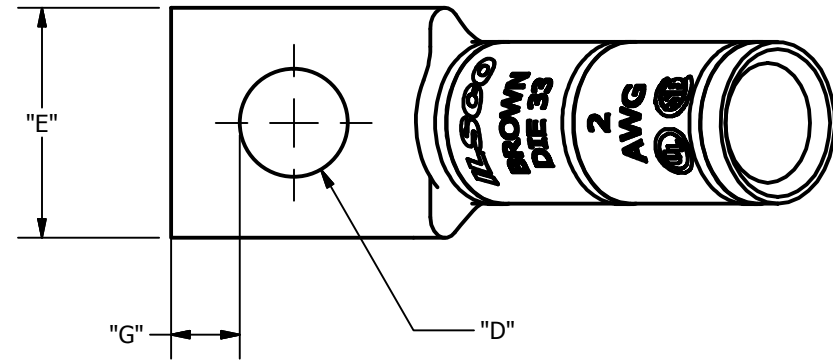
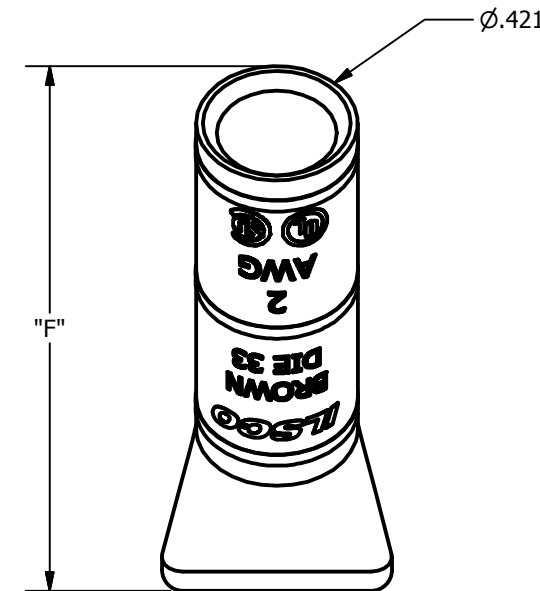
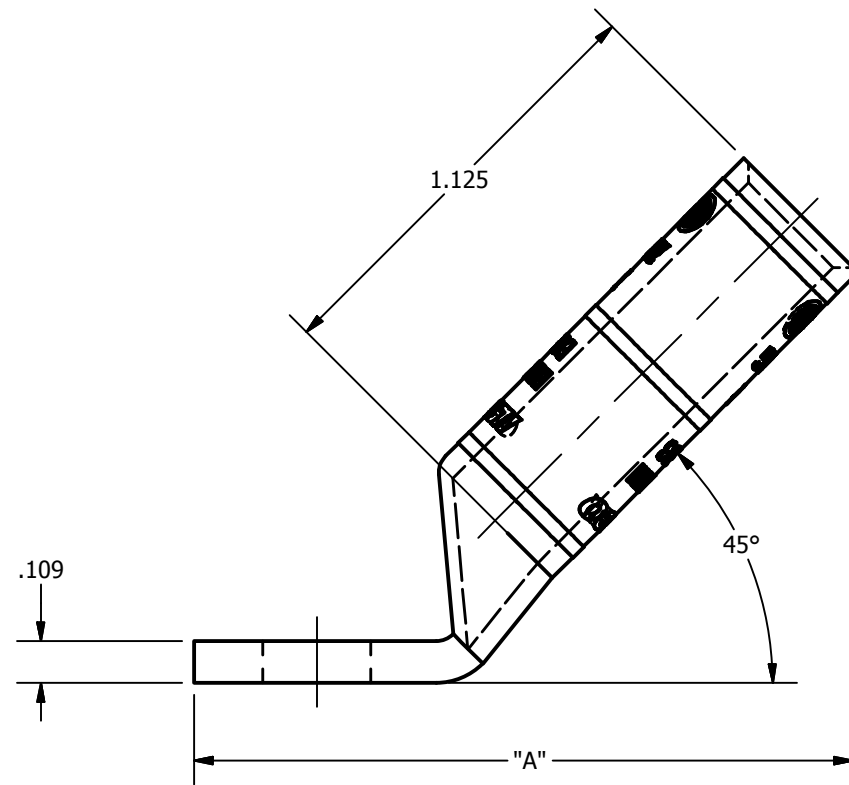


SCREW: NONE	MATERIAL: COPPER	REV: E	 800-776-9775 www.ilSCO.com
CAT. NO.: SEE CHART	PLATING: EL-TIN	DRAWN BY: DW SCALE: 2:1	
INFORMATION SHEET: FORM 157	MARKING: SEE CHART	DATE: 6/3/2008 SIZE: B	
			DWG NO: <b>Y0503-S-4</b>
			SHEET: 1 OF 1



DETAIL C  
INK MARK TOP & BOTTOM



CATALOG NUMBER	"A"	"D"	"E"	"F"	"G"	TANG MARKING
CLNB-2-10-4	1.689	0.219	0.599	1.376	0.148	UL, ILSCO, CSA, CLNB-2-10-4, 10, 2 AWG, DIE 33
CLNB-2-14-4	1.807	0.281	0.599	1.380	0.180	UL, ILSCO, CSA, CLNB-2-14-4, 1/4, 2 AWG, DIE 33
CLNB-2-12-4	2.377	0.562	0.750	1.380	0.265	UL, ILSCO, CSA, CLNB-2-12-4, 1/2, 2 AWG, DIE 33
CLNB-2-38-4	2.002	0.406	0.599	1.380	0.211	UL, ILSCO, CSA, CLNB-2-38-4, 2 AWG, DIE 33
CLNB-2-516-4	2.002	0.343	0.599	1.380	0.180	UL, ILSCO, CSA, C-2-516 2 AWG, DIE 33